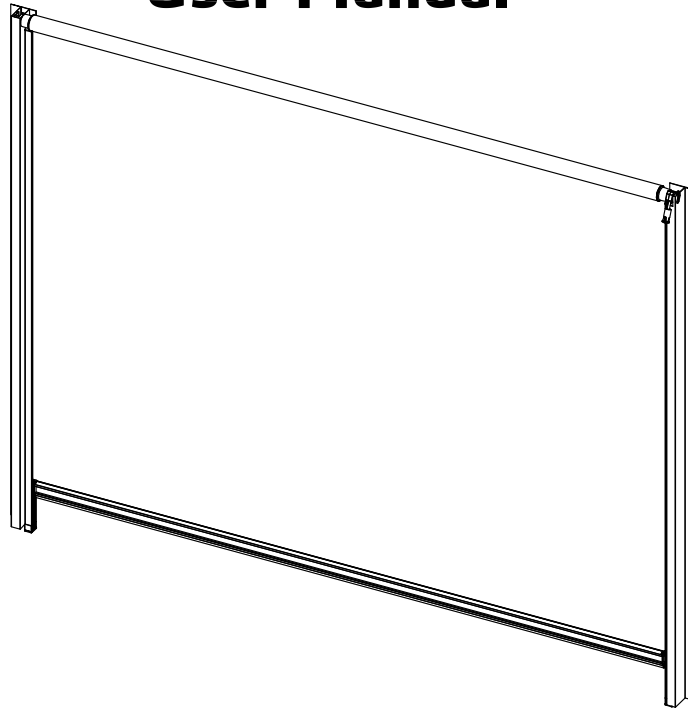

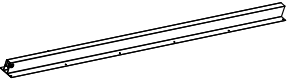


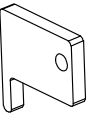
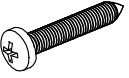


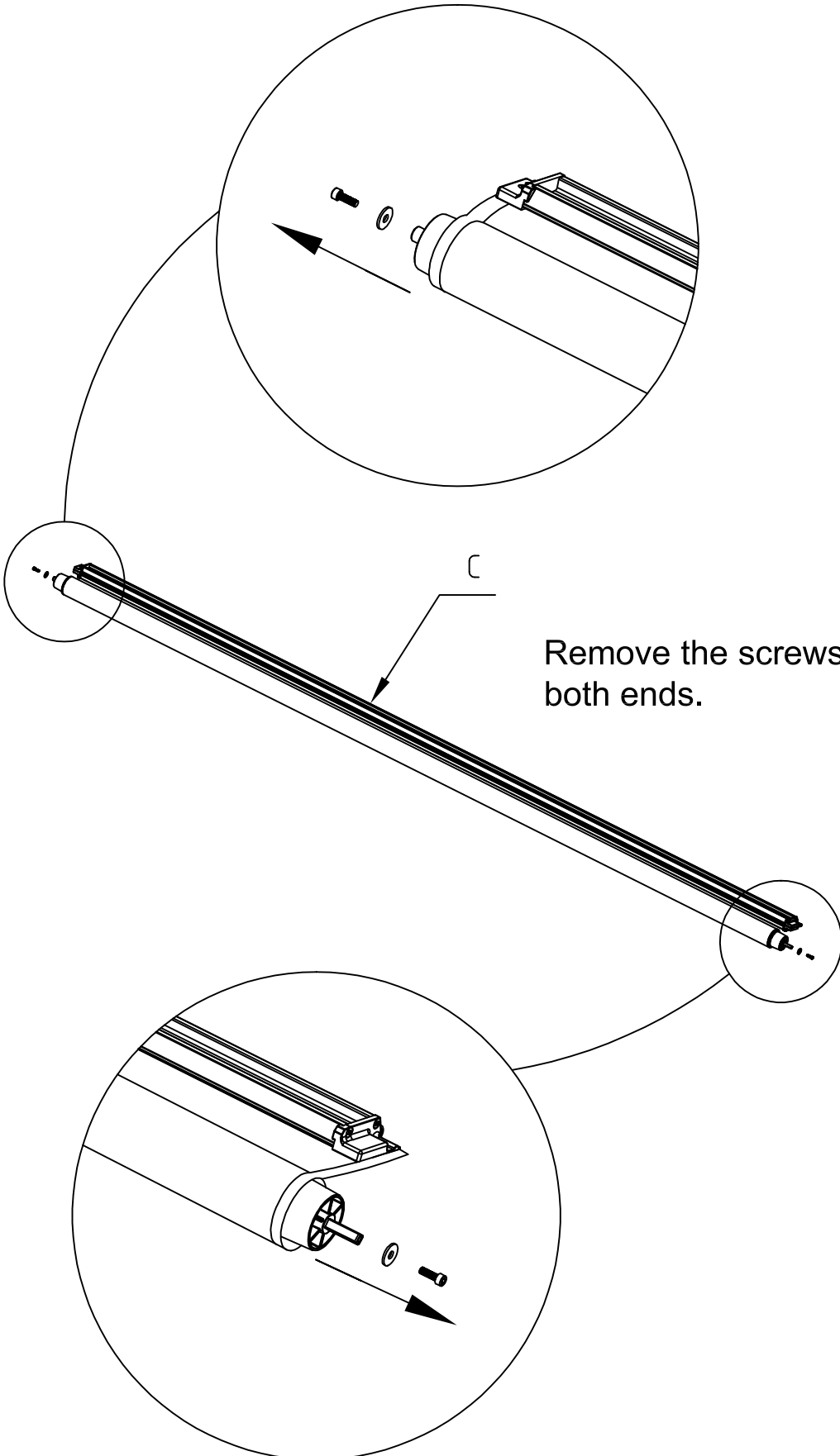


Crank down Screen

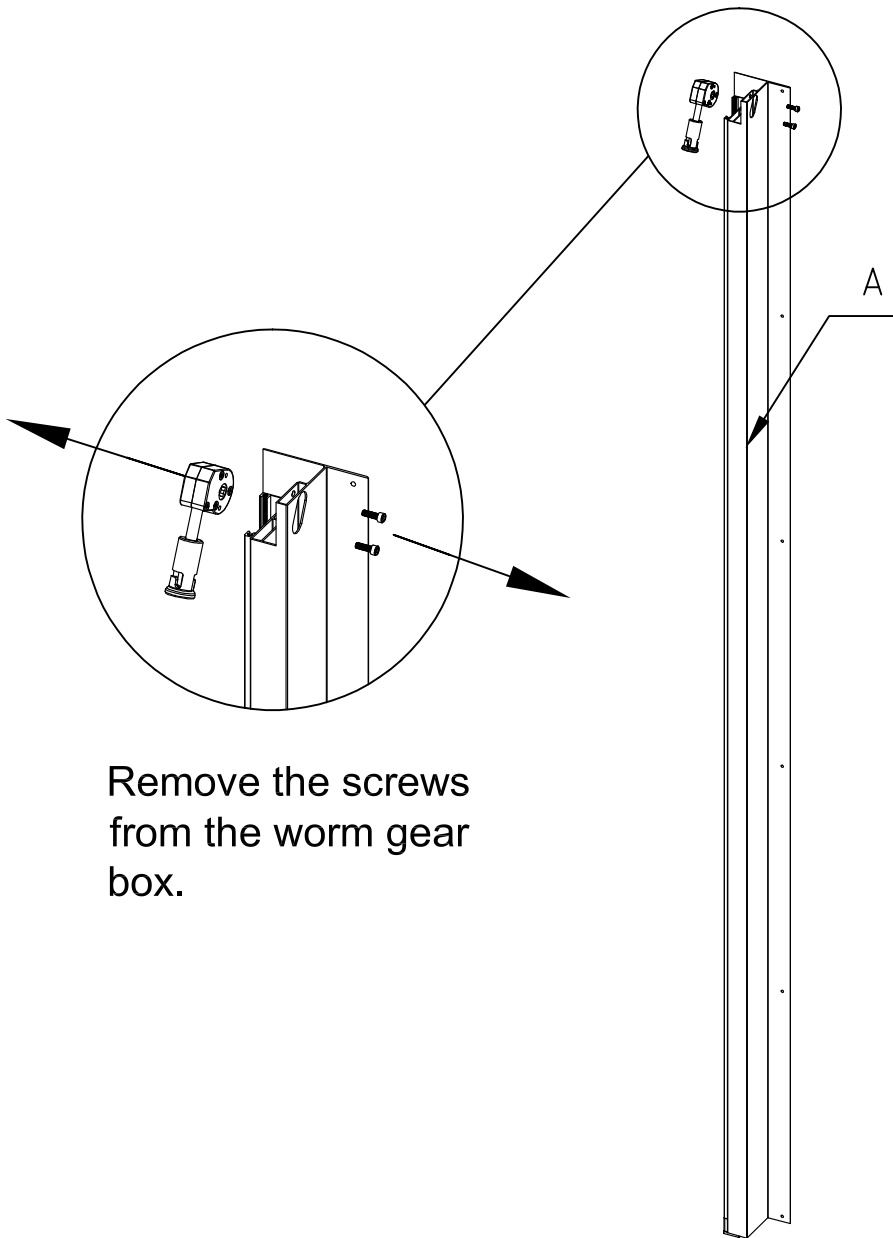
User Manual



REF	PARTS	QTY	SPECS
A		1	
B		1	
C		1	
D		15	ST5. 5*16
E		2	
F		2	ST4. 2*20
G		2	Ø 4*55
H		1	

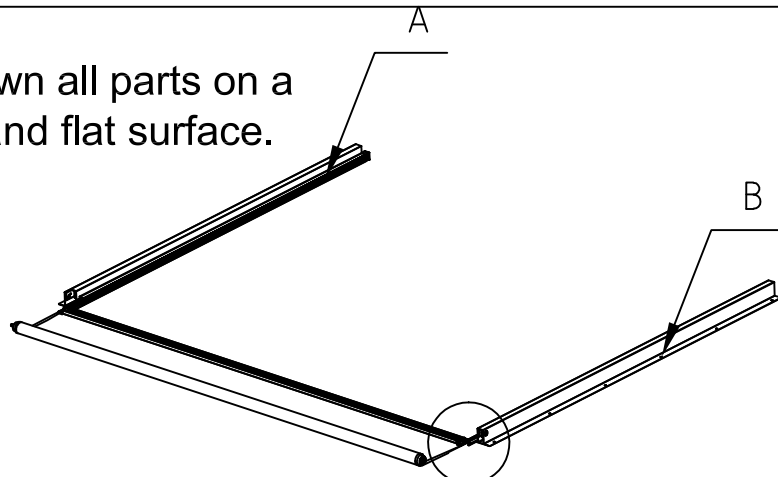


Remove the screws at both ends.

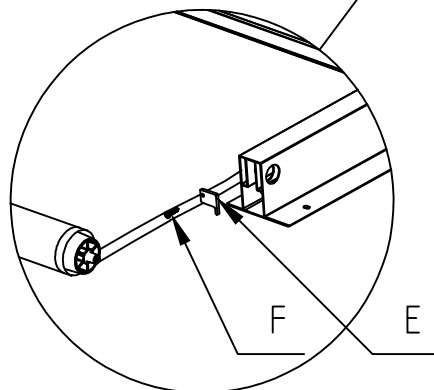
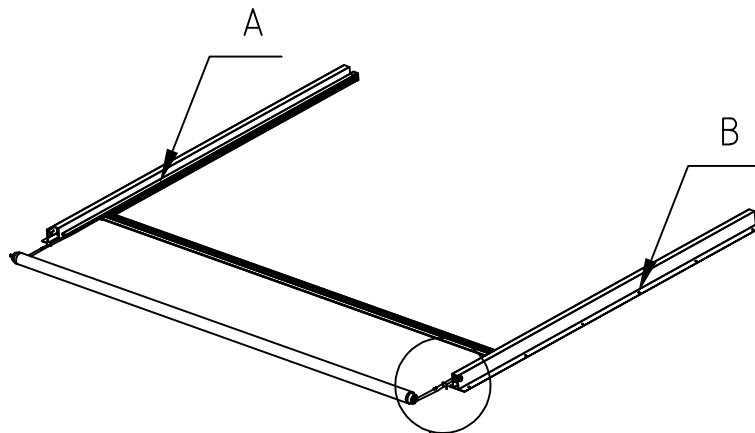
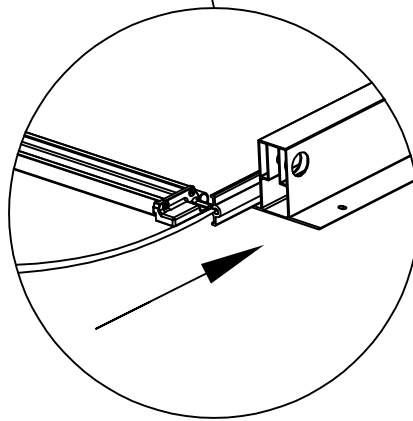


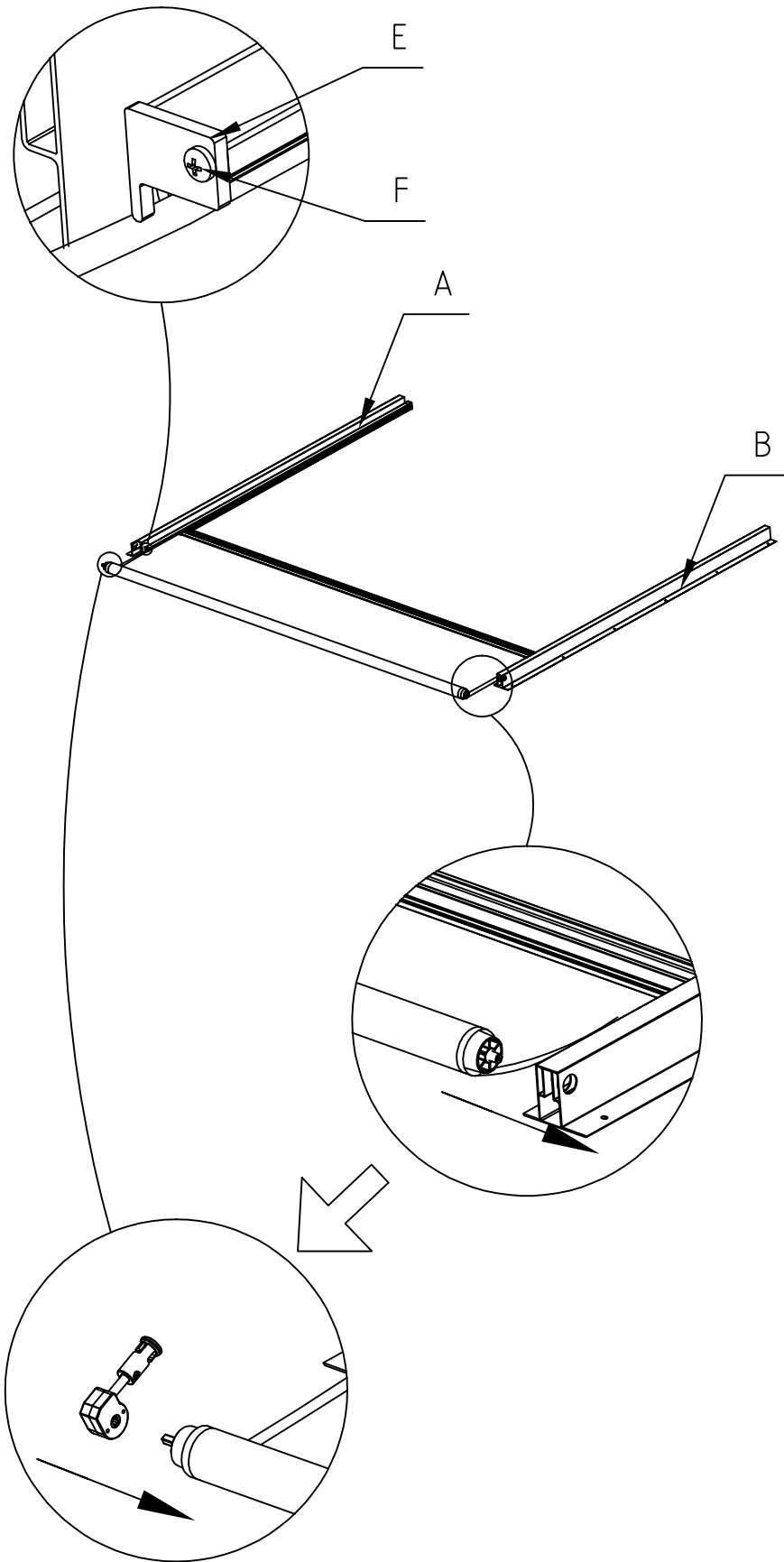
Remove the screws
from the worm gear
box.

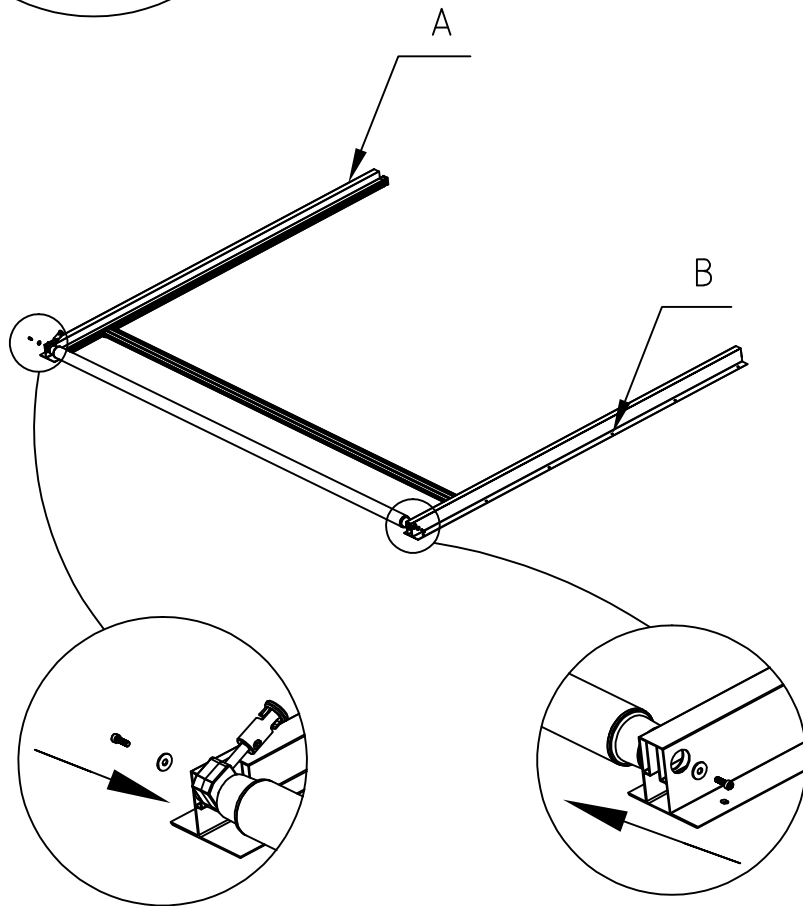
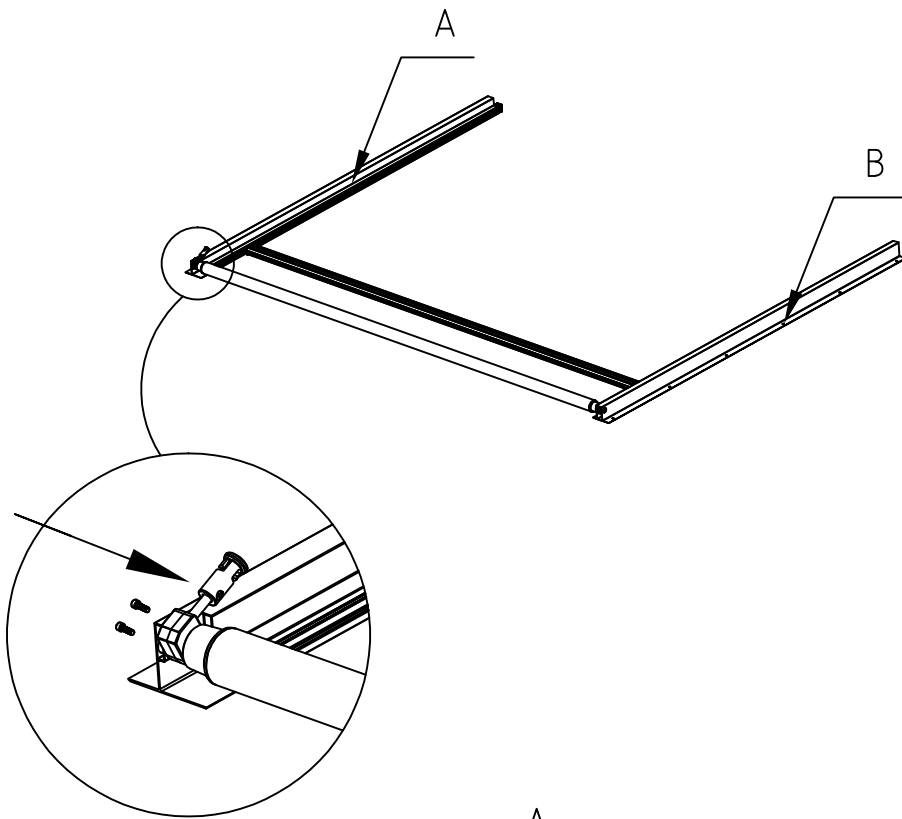
Lay down all parts on a clean and flat surface.



Insert zipper teeth on both sides into corresponding plastic rails simultaneously.

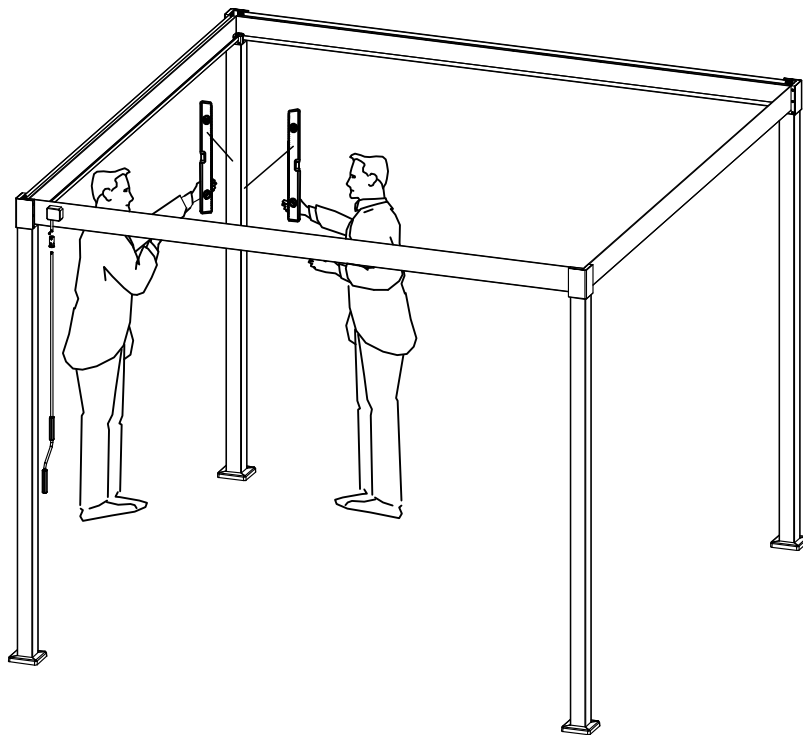






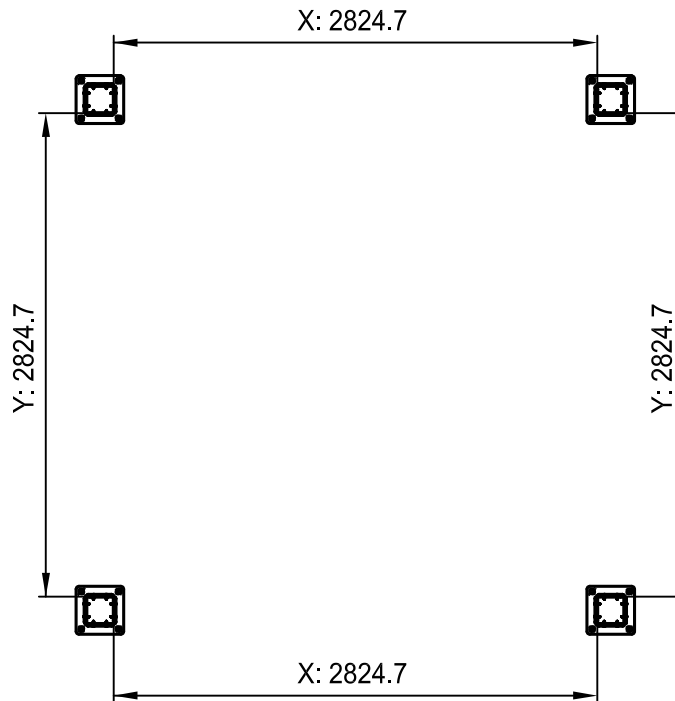
Frame adjustment

Now, you are almost done installing the main frame.
Please make sure all legs and beams are installed correctly.
You may have to unscrew certain bolts during the adjustment.

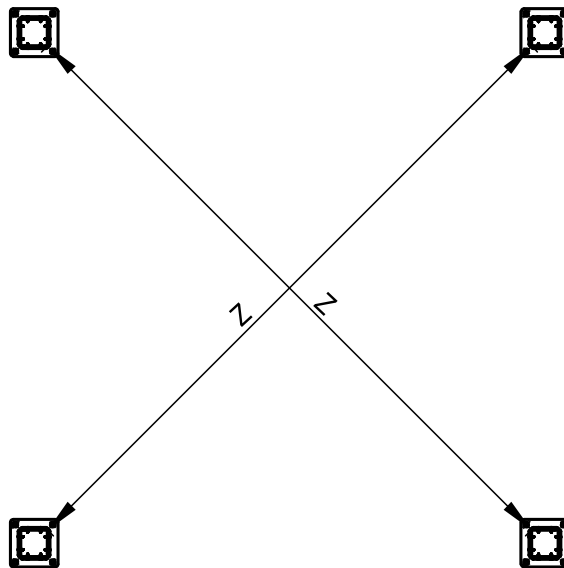


1. Pick a corner leg, which will be used to define the final placement of the pergola.
2. Put the level bar against both inner surfaces of the leg.
3. Adjust the leg until it reaches vertical position.
4. Make sure this leg stays in position during the following steps.

5. Measure the distances between adjacent legs.
6. Adjust other 3 legs accordingly until all distances are equal. (Use the numbers in the following picture for reference.)

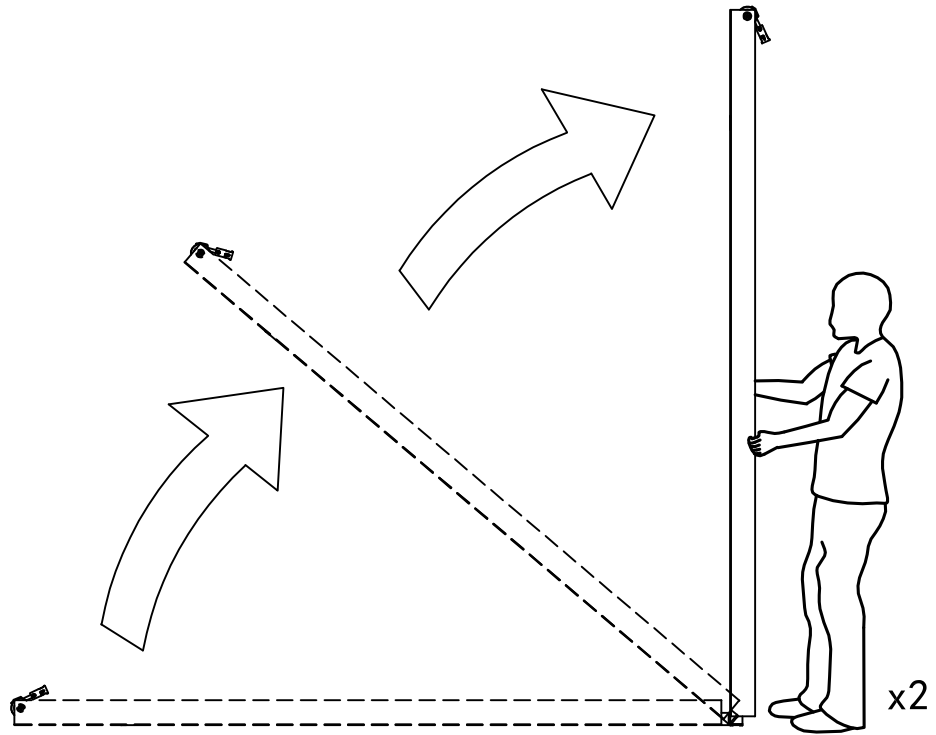


7. Measure the diagonal distances between opposite legs.
8. Adjust other 3 legs accordingly until both diagonal distances are equal. You may have to repeat step 5 and 6 after this step.

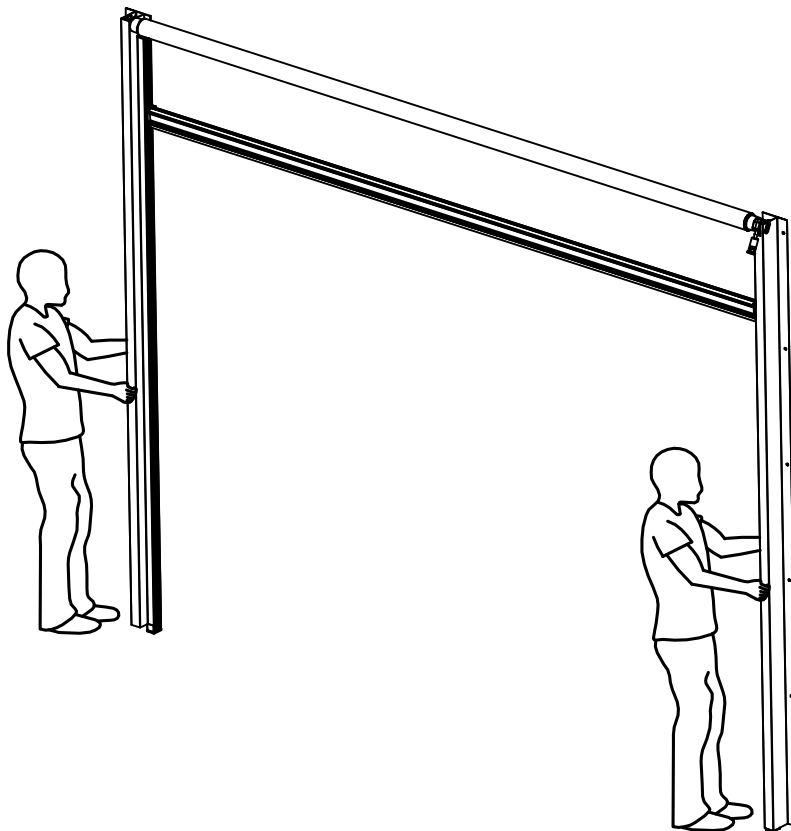


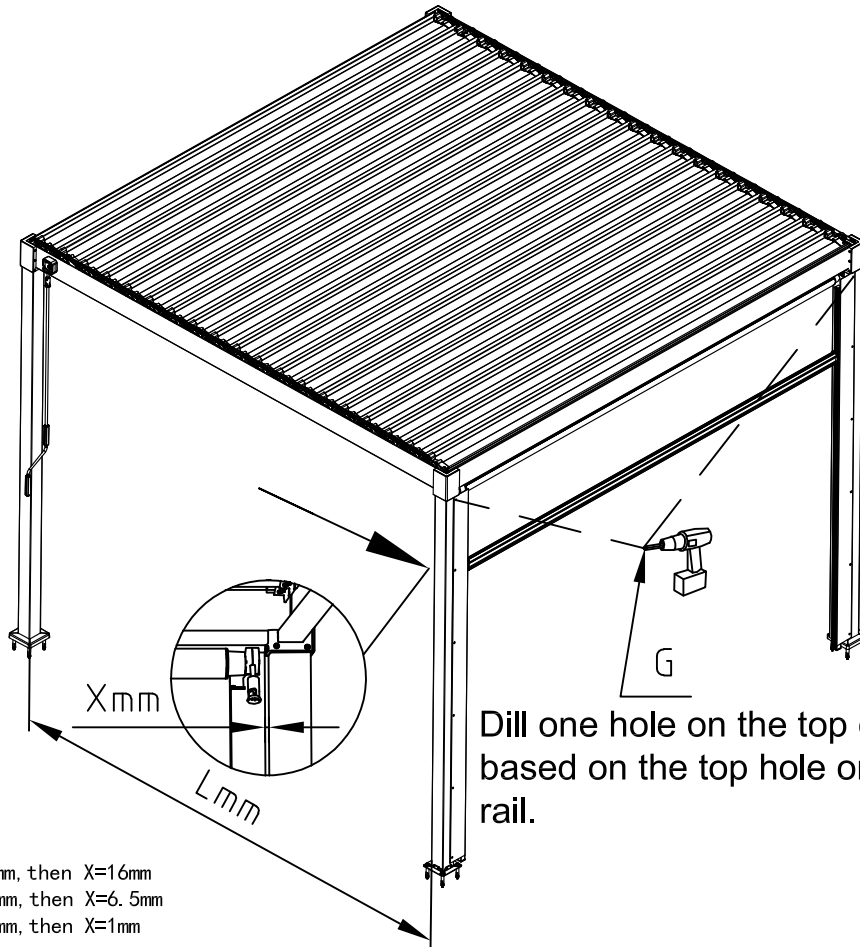
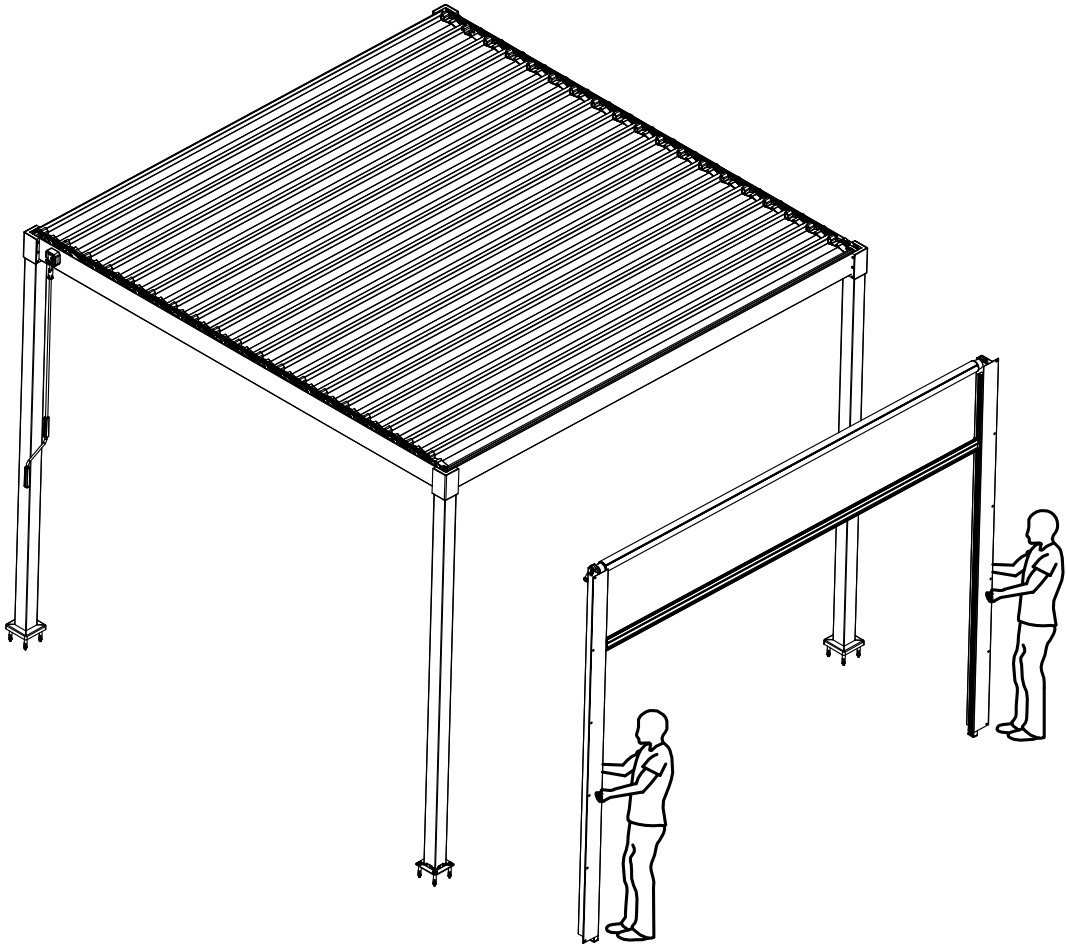
9. All leg distances are now verified.

10. Take the level bar and check if all legs are vertical
11. Take the level bar and check if all beams are level
12. If any large deviation shows during step 10 and 11, then your ground may not be level. Please raise the pergola legs that are positioned lower than the others. Failure to adjust the pergola frame correctly could lead to issues (noise/warp/interference) when installing louvers and/or accessories later.
13. Now you have successfully finished the frame installation. Please proceed to louver installation.



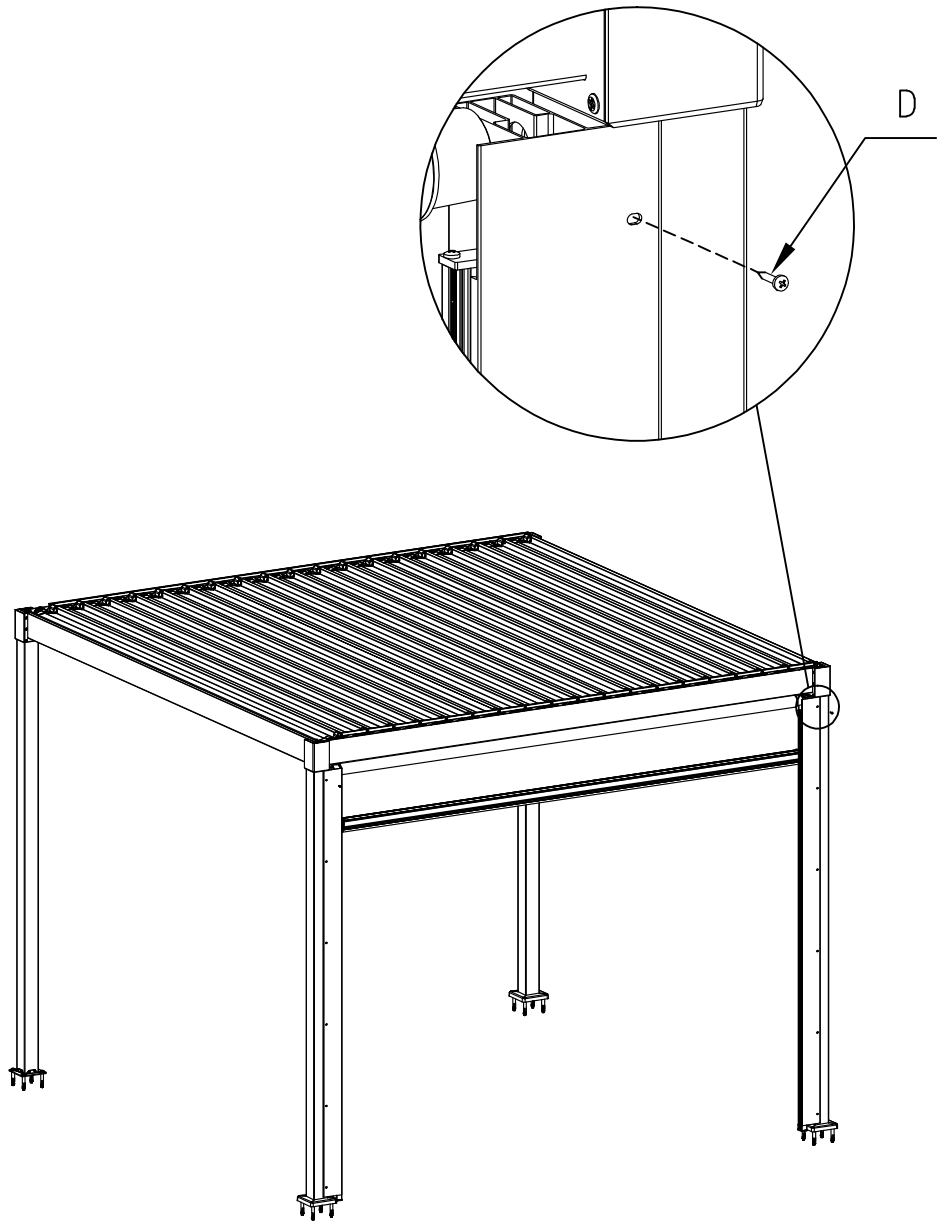
Two people are required to put up the whole screen assembly to make sure both metal rails are lifted simultaneously.





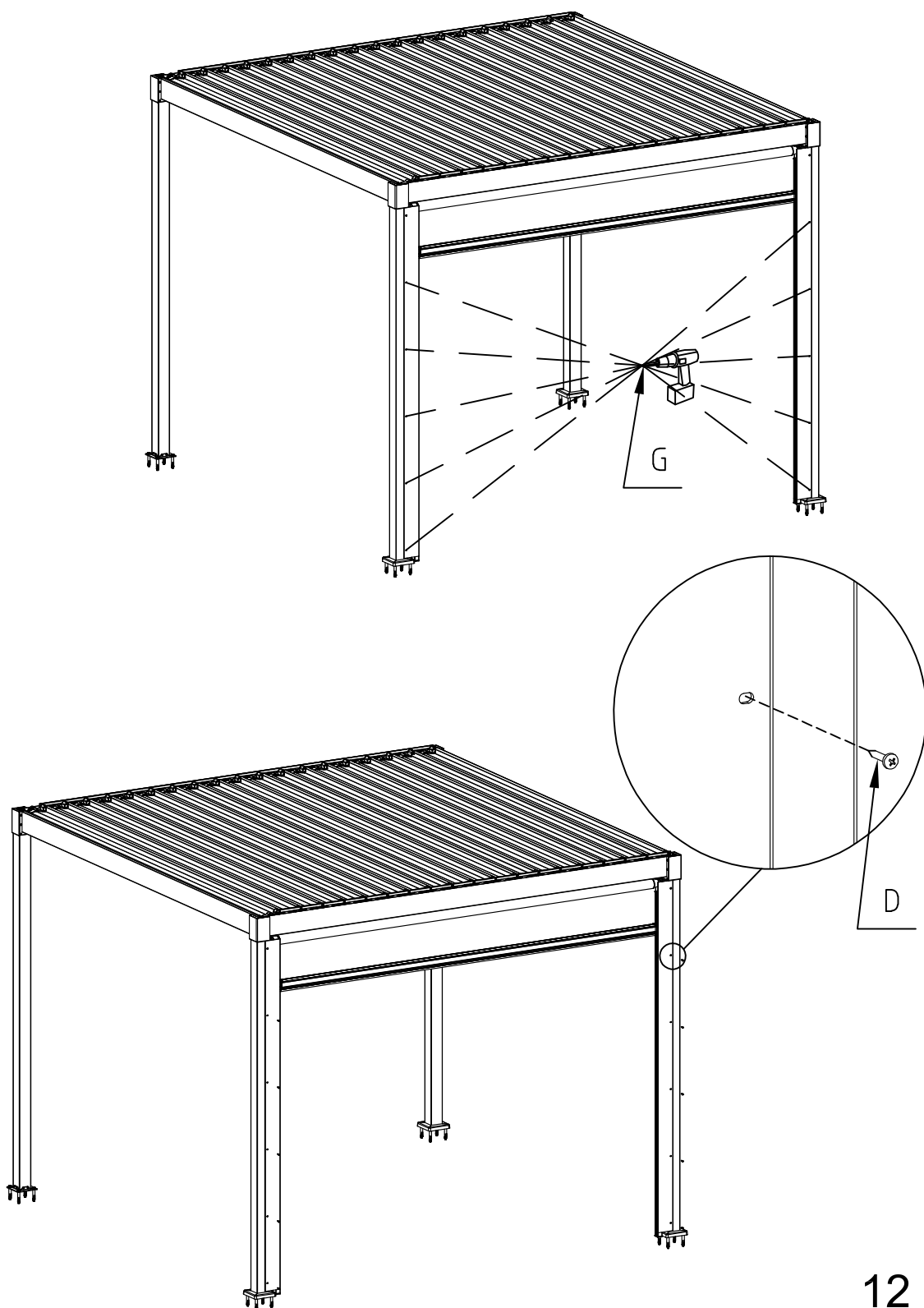
Drill one hole on the top of each leg based on the top hole on each metal rail.

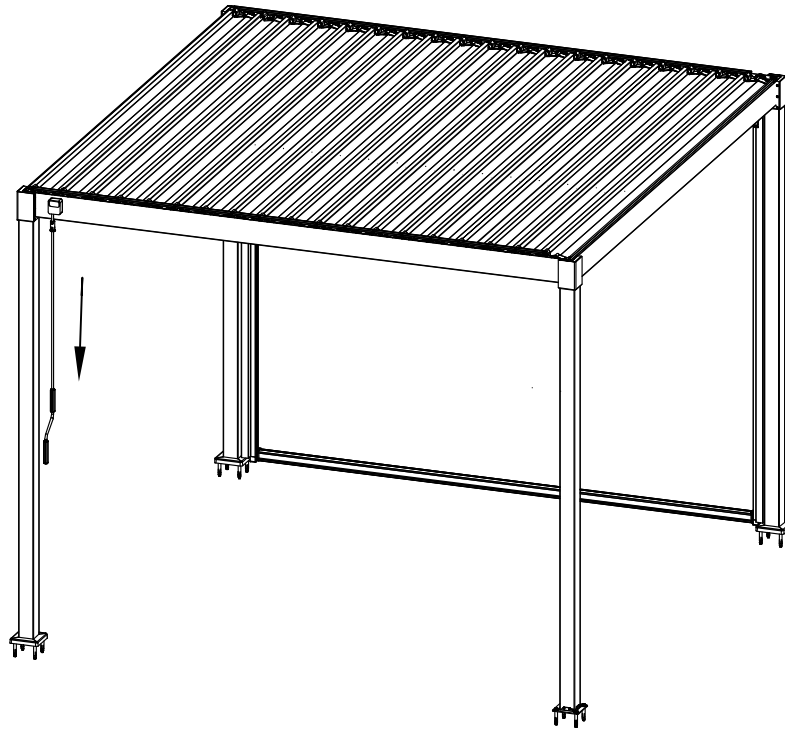
If $L=2825\text{mm}$, then $X=16\text{mm}$
 If $L=2806\text{mm}$, then $X=6.5\text{mm}$
 If $L=2795\text{mm}$, then $X=1\text{mm}$



Place a screw in the top hole of each metal rail and adjust the location to ensure that the metal rails are parallel to the legs, and that the gaps at both sides are equal. (Please do not tighten the screws yet.)

Drill the remaining holes and install the remaining screws after the appropriate location is determined.





Remove the crank from the pergola and use the same crank to operate the crank down screen.

